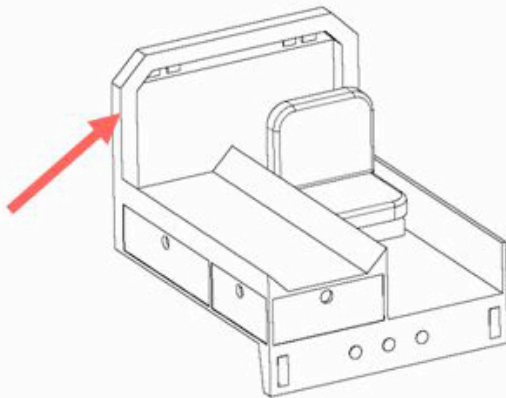
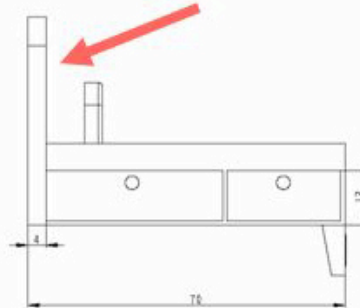
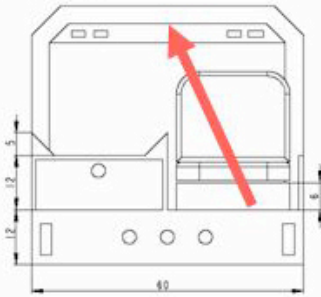



TerraTor
corporation



EMSter™

NOTICE TO OPERATOR

The  in this drawing are pointing to a structure that is NOT manufactured for the purpose of ROPS (Roll Over Protection Structure). The structure cannot support the weight of the vehicle.

The boxed aluminum frame is provided for the mounting of emergency lights, siren and hangers for intravenous bottles.